

# The AN100 Announcer™

## AN100SAMPLE

Made in  
USA



The Announcer™ is a small and efficient device for playing pre-recorded voice and audio messages. It is exactly the same size as a piezo alarm. The Announcer can act as a direct replacement wherever standard piezo alarms are used.

The Announcer will play a single message (up to 10 seconds stored within memory) upon the application of power a single time or continue repeat the message until power is removed.

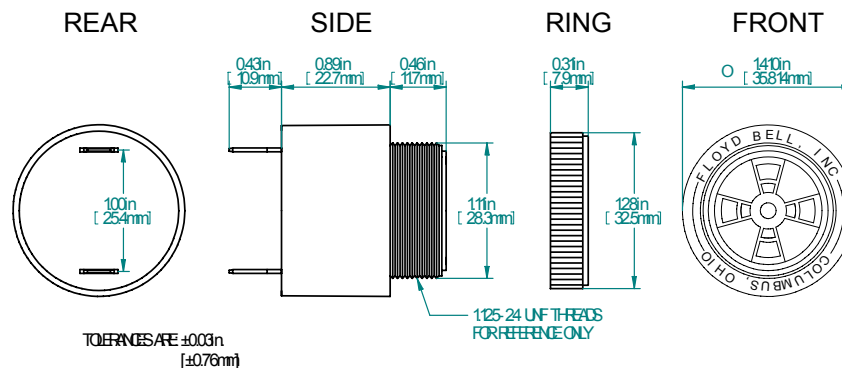
Some uses include:

- Playing promotional messages during an in-store or trade show promotional display.
- Adding safety and awareness to vehicles or machines by replacing an ambiguous "beep."
- Broadcasting a message in public places such as shopping malls, museum information plaques, airports, building lobbies, casinos/gaming machines, restaurants, movie theatres, kiosks, gas station pumps, etc.
- The applications for a self-contained playback device are limitless. Just add power!

Please call to discuss your application with our Sales Engineer or help with Human Factor design.

### SPECIFICATIONS

<b>Operating Mode:</b>	Play message or tone when power is applied.
<b>Operating Voltage:</b>	5-15 VDC
<b>Nominal Operating Voltage:</b>	12 VDC
<b>Frequency Response:</b>	500 Hz to 10KHz
<b>Typical Operating Current:</b>	250mA peak @ 12Vdc
<b>Typical Sound Pressure:</b>	80±5 dB(A), at 5 VDC, at 24 inches (61 cm), at 25°C, 90±5 dB(A), at 15 VDC, at 24 inches (61 cm), at 25°C.
<b>Termination:</b>	2 .25" Quick Connect Blades
<b>Termination Strength:</b>	Pull test with a maximum of 22 pounds (10 kg) load
<b>Operating Temperature:</b>	-20°C to +65°C.
<b>Storage Temperature:</b>	-40°C to +85°C.
<b>Surge Voltage:</b>	20% over maximum rated voltage for less than 5 minutes.
<b>Reverse Voltage Protection:</b>	To the maximum operating voltage.
<b>Construction Materials:</b>	Case- Plastic "NORYL® N-190", Flame Retardant UL 94-VO, Black



 **Floyd Bell Inc**  
An ISO 9001:2000 Registered Company

720 Dearborn Park Lane • Columbus, OH 43085  
Tel: 614/294-4000 • Fax: 614/291-0823  
Website: [www.floydbell.com](http://www.floydbell.com)

Revision: Preliminary